



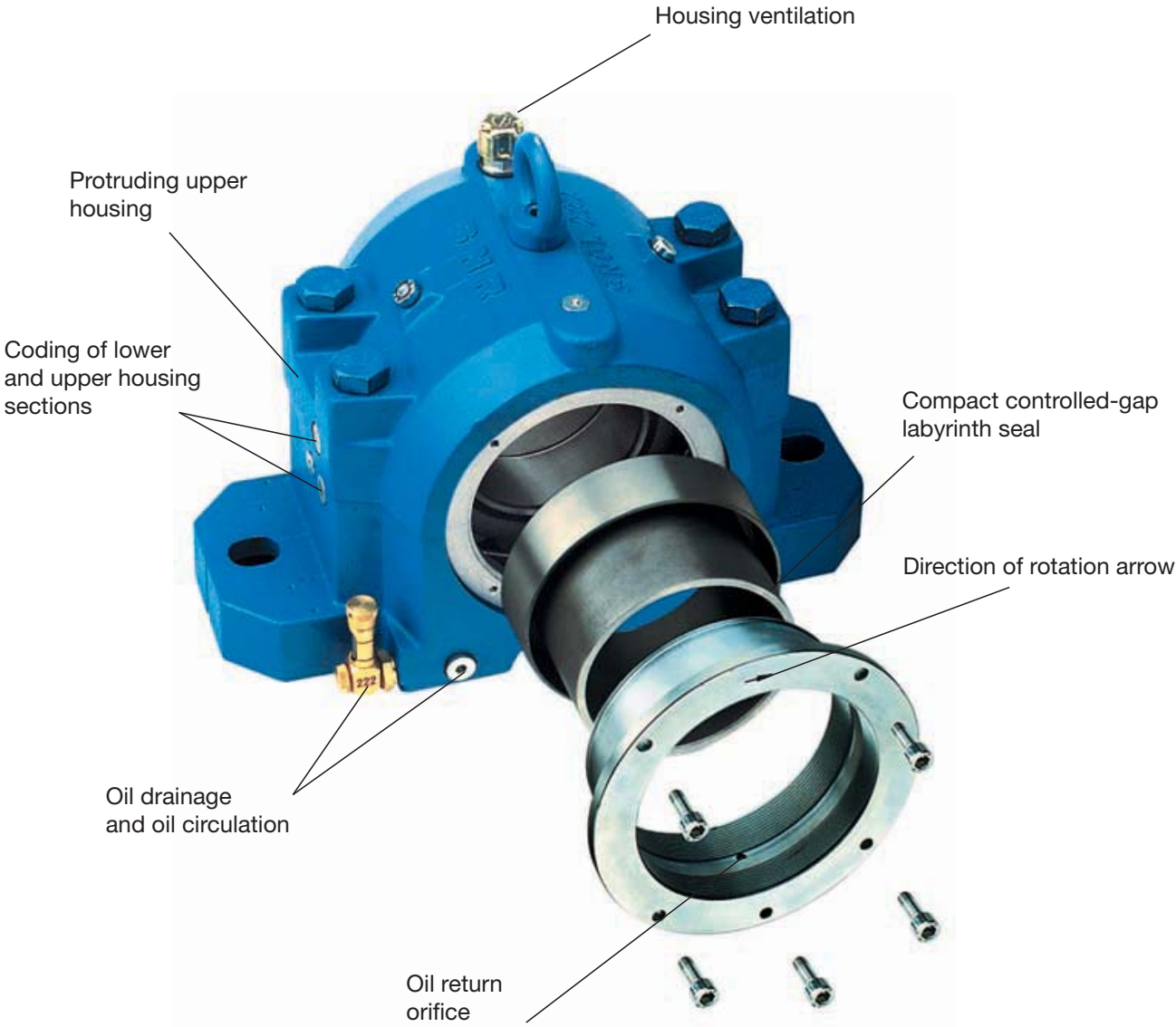
SNOL
Innovation in
Performance and Economy

SNR - Industry





SNOL oil-lubricated plummer block for rolling bearings



SNOL oil-lubricated plummer block for rolling bearings excels on account of its functionality at low weights.

Protruding upper housing

To ensure that moisture cannot penetrate into the housing through the mold seam, the upper housing section juts out over the lower section. This prevents condensation from entering the bearing housing. For several years now SNR has achieved excellent results with this system in grease-lubricated SNB housings.

Coding of lower and upper housing sections

Both upper and lower housing sections are given the same coding label to prevent mixing when assembling more than one plummer block.

Oil drainage and oil circulation

The SNOL comes with four oil-drainage bores on the side of the housing. These holes and the four holes at the front can also be used for oil circulation.

Alternative oil-drainage options

In the lower section of the housing a position has been marked with a graining with which an additional oil-drainage bore can be made.

Housing ventilation

The housing is ventilated under operation using the latest technology. Contamination such as sand and dust are prevented from entering the housing. When filling the housing the ventilator has to be removed first.

Compact controlled-gap labyrinth seal

Thanks to our long-standing experience in the area of oil-lubricated bearing housing design we have created a reliable and effective sealing system.

Oil leakage and moisture penetration are thus prevented through the use of various sealing threads in the side cover.

Direction of rotation arrow

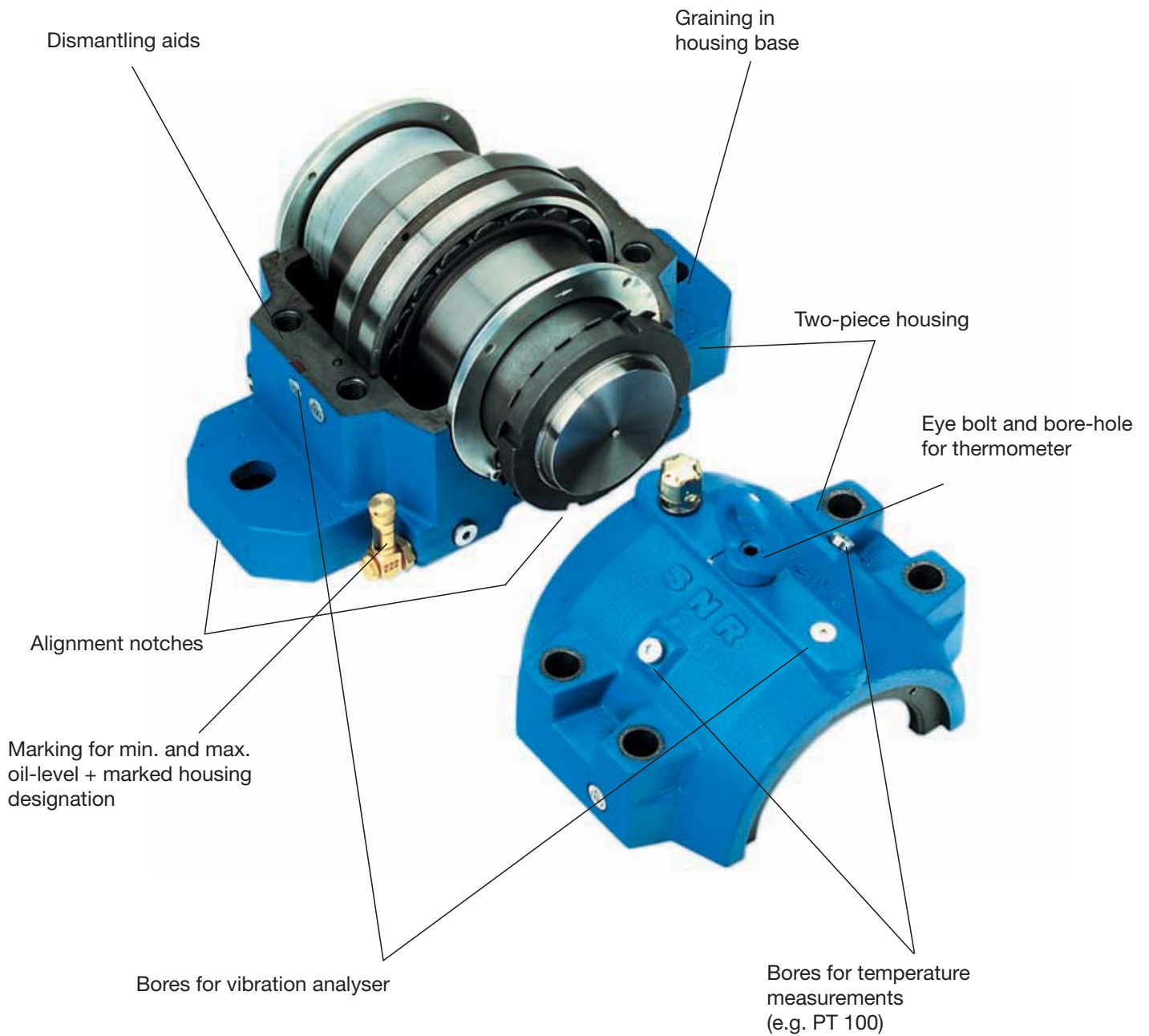
As the function of the sealing threads are dependent on the direction of rotation, they are all marked with direction of rotation arrows – with the exception of the interchangeable lid.

Oil return orifice

This orifice enables any oil which has penetrated this far to be returned to the interior of the housing.



SNOL oil-lubricated plummer block for rolling bearings



SNOL oil-lubricated plummer block for rolling bearings

Graining in housing base

Graining has been provided in the base on both sides of the housing in order to be able to locate the housing to the bottom section or to mount it using four instead of two bolts (e.g. to an I-beam) .

Dismantling aids

In order to make it easier to separate the housing sections, small recesses have been cast in both sides of the lower section.

Alignment notches in base

SNR has cast markings on all four sides of the housing in the base in order to make it easier to align the housing when assembling it.

Oil-level indicator

The individual minimum and maximum oil-level markings made on the oil-level indicator enable the oil level to be easily checked during operation.

Engraved housing identification

The oil-level indicators can be assigned to each individual SNOL, as each display is marked with the respective housing model. Thus in case of replacement it is a simple task to determine which display is at issue.

Corrosion protection

The housing shell is painted on both the inside and outside. For the various detachable components SNR has used elements which are rust proof, or corrosion protected by means of a dual chromate coating.

Two-piece housing

The housing has been split in two to facilitate an ideal mounting process. The pins inserted into the interface serve to prevent any incorrect mounting of the upper and lower sections. The upper section is bolted to the lower section using four hexagonal screws and tightened to a specified torque.

Eye bolt and temperature measurement

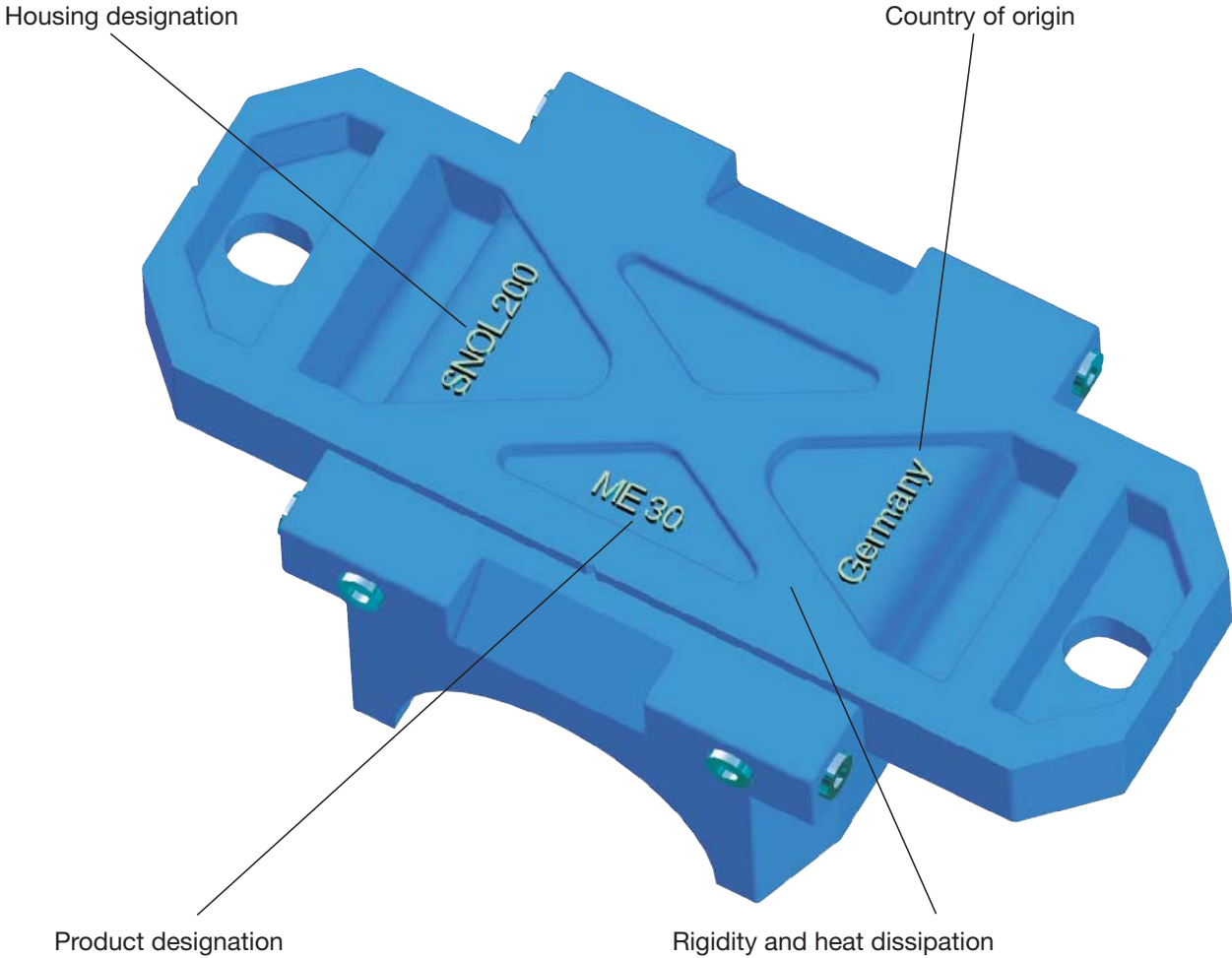
To better facilitate ease of handling SNR has mounted an eye bolt onto the housing from a size of SNOL 220 and larger. If this is removed, a temperature gauge (e.g. straight-enclosed scale thermometer) can be screwed onto the housing.

Bores for vibration analyser and temperature measurements

Vibration analysers can be mounted at the designated positions either horizontally or vertically, in order to measure vibrations. The gate system mounted to the upper section can also be used to install temperature gauges (e.g. PT 100). These devices also serve to provide valuable information on oil and bearing conditions.



SNOL oil-lubricated plummer block for rolling bearings



SNOL oil-lubricated plummer block for rolling bearings

Housing designation

All SNOL housings are marked below the base with the series and size of the housing.

Country of origin

SNR bearing housings are developed and produced in Germany.

Rigidity and heat dissipation

Tests performed have demonstrated the efficiency of the SNOL series' optimized base design with regard to housing rigidity and dissipation of operating heat.

Product designation

For internal purposes SNR has provided all housings with a code number.

SNOL housings in the following most important sizes can be interchanged with the familiar SN plummer blocks for rolling bearings;

- shaft diameter
- shaft center height
- spacing of holes for fastening bolts

We have also endeavoured to comply with the SN housings series for the other dimensions.

With the following exceptions this is generally the case:

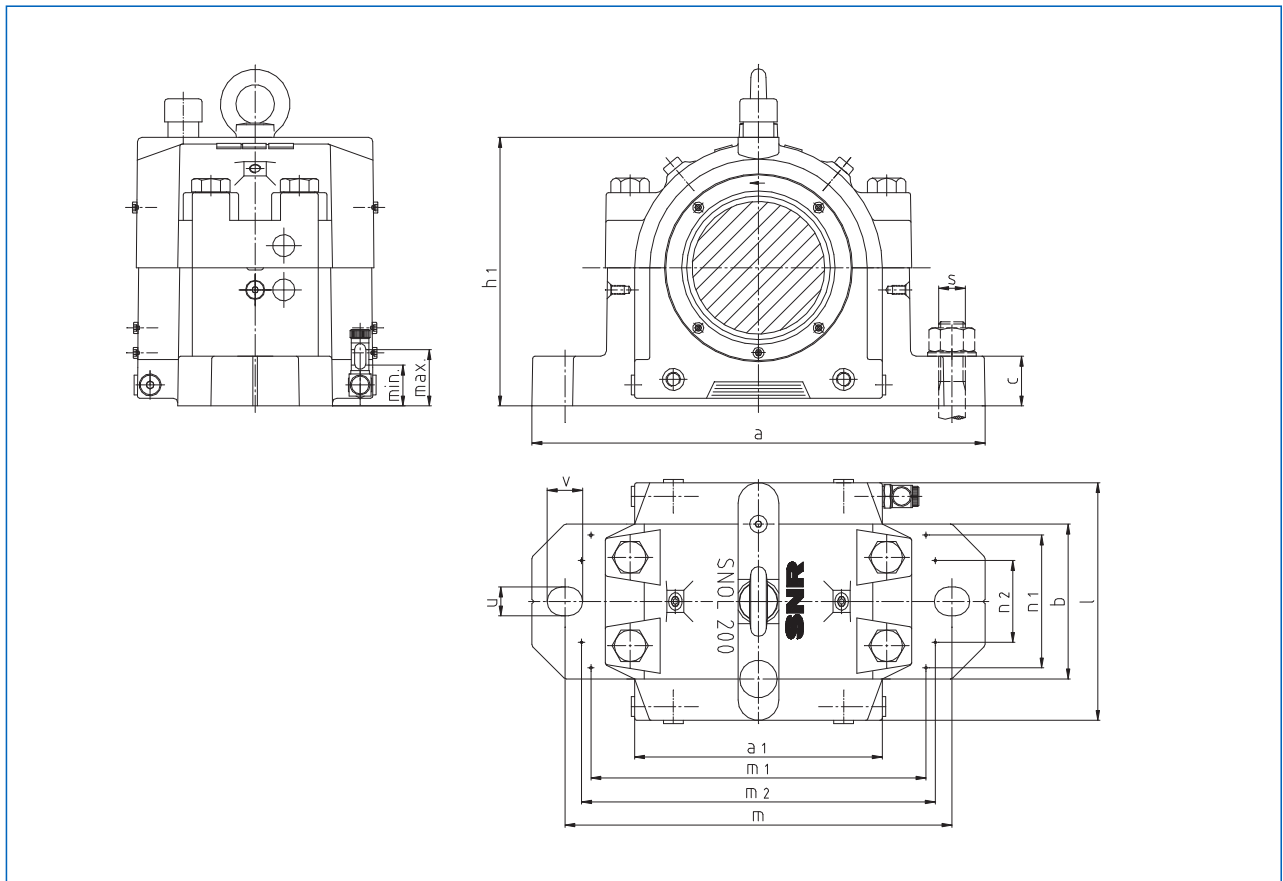
1. Due to the fact that a large oil volume is critical for oil-lubricated bearing housings and the sealing system is more complicated than that for grease-lubricated housings, the width of the SNOL has been enlarged.
2. In individual cases, the overall height of the housing has to be adapted to the requirements of the specified measuring equipment.

More detailed information is available in the following lists of dimensions on pages 8 and 9.



SNOL oil-lubricated plummer block for rolling bearings

Excellent performance under light loads



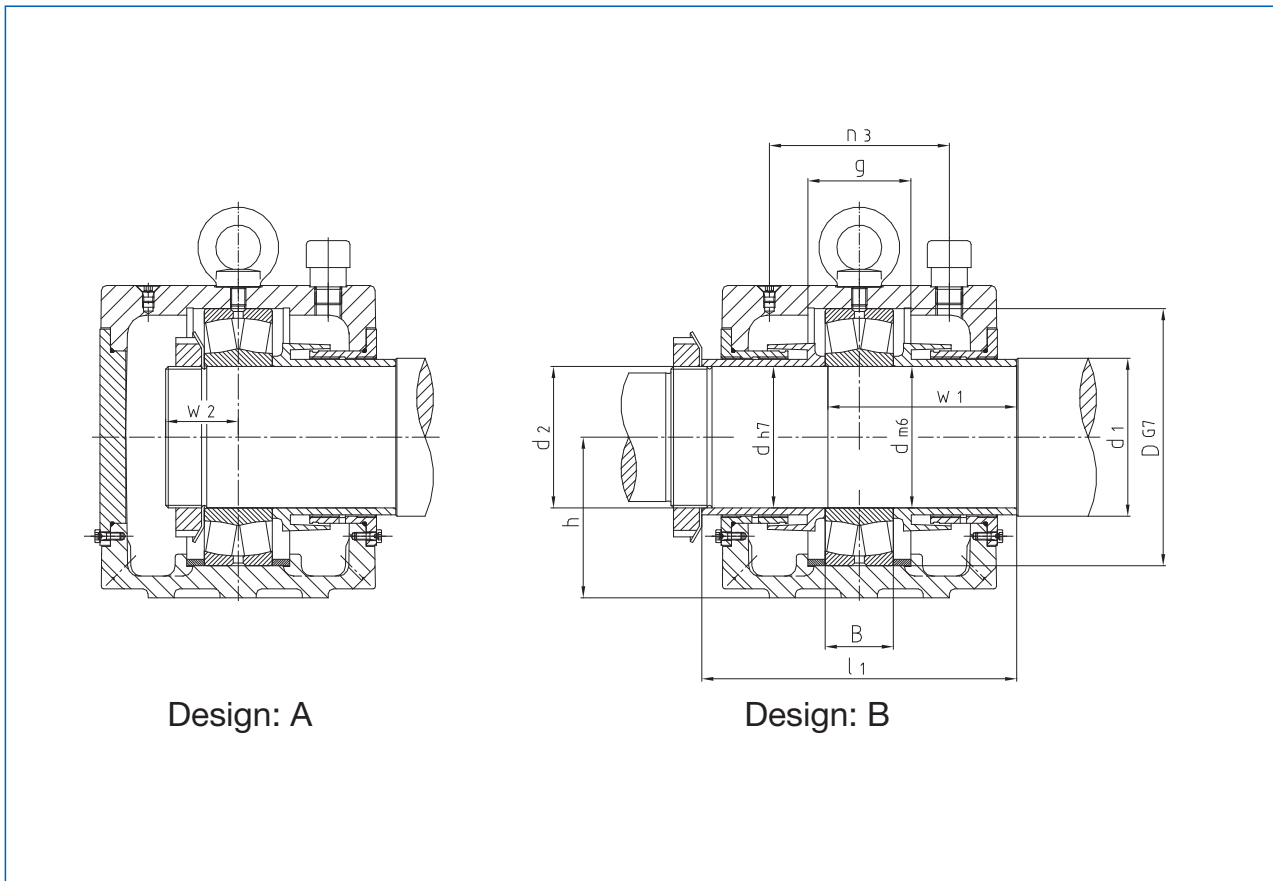
Dimensions in mm

| d | d ₁ | d ₂ | B | D | a | a ₁ | b | c | g | h | h ₁ | l | l ₁ | m | m ₁ | m ₂ | n ₁ | n ₂ | n ₃ | s | u | v | w ₁ | w ₂ |
|-----|----------------|----------------|----|-----|-----|----------------|-----|----|----|-----|----------------|-----|----------------|-----|----------------|----------------|----------------|----------------|----------------|-----|----|----|----------------|----------------|
| 60 | 70 | M 60 x 2 | 28 | 110 | 255 | 140 | 80 | 30 | 40 | 70 | 139 | 140 | 162 | 210 | 170 | 200 | 52 | 40 | 90 | M16 | 18 | 23 | 94 | 29 |
| 70 | 80 | M 70 x 2 | 31 | 125 | 275 | 150 | 90 | 30 | 44 | 80 | 158 | 150 | 173 | 230 | 190 | 220 | 60 | 48 | 100 | M16 | 18 | 23 | 101 | 32 |
| 80 | 90 | M 80 x 2 | 33 | 140 | 315 | 155 | 95 | 32 | 50 | 95 | 179 | 155 | 183 | 260 | 210 | 260 | 65 | 52 | 100 | M20 | 22 | 27 | 107 | 36 |
| 90 | 103 | M 90 x 2 | 40 | 160 | 345 | 185 | 115 | 35 | 65 | 100 | 196 | 185 | 220 | 290 | 240 | 280 | 95 | 58 | 120 | M20 | 22 | 27 | 129 | 41 |
| 100 | 113 | M100 x 2 | 46 | 180 | 380 | 202 | 125 | 40 | 70 | 112 | 219 | 200 | 234 | 320 | 270 | 300 | 105 | 66 | 130 | M24 | 26 | 32 | 139 | 46 |
| 110 | 123 | M110 x 2 | 53 | 200 | 410 | 224 | 140 | 45 | 80 | 125 | 243 | 215 | 252 | 350 | 303 | 320 | 120 | 74 | 140 | M24 | 26 | 32 | 151 | 51 |
| 120 | 138 | M120 x 2 | 58 | 215 | 410 | 244 | 140 | 45 | 86 | 140 | 271 | 225 | 263 | 350 | 313 | 330 | 120 | 74 | 140 | M24 | 26 | 32 | 159 | 55 |
| 130 | 148 | M130 x 2 | 64 | 230 | 445 | 250 | 145 | 50 | 90 | 150 | 290 | 230 | 266 | 380 | 340 | 370 | 125 | 80 | 160 | M24 | 28 | 35 | 163 | 59 |
| 140 | 160 | M140 x 2 | 68 | 250 | 500 | 270 | 160 | 50 | 98 | 150 | 302 | 250 | 290 | 420 | 360 | 400 | 140 | 92 | 170 | M30 | 35 | 42 | 177 | 62 |

The construction of the plummer blocks is constantly developing.
For this reason we reserve for ourselves the introduction of technical improvement at any time.

SNOL oil-lubricated plummer block for rolling bearings

Excellent performance under light loads



Design: A

Design: B

Parts of application

| Code | Bearing | Locating rings | Locknuts | Lock washers | Oil-level in operation | Oil-quantity incl. bearing | Weight incl. bearing |
|----------|-----------|----------------|----------|--------------|------------------------|----------------------------|----------------------|
| | | 2 pieces | | | min. - max. | approx. ml | approx. kg |
| SNOL 212 | 22212 J30 | FR 110 / 6 | KM 12 | MB 12 | 22 - 28 | 100 | - |
| SNOL 214 | 22214 J30 | FR 125 / 6.5 | KM 14 | MB 14 | 25 - 31 | 145 | - |
| SNOL 216 | 22216 J30 | FR 140 / 8.5 | KM 16 | MB 16 | 34 - 39.5 | 180 | 18.5 |
| SNOL 218 | 22218 J30 | FR 160 / 12.5 | KM 18 | MB 18 | 31.5 - 36.5 | 250 | - |
| SNOL 220 | 22220 J30 | FR 180 / 12 | KM 20 | MB 20 | 34 - 41 | 360 | 39 |
| SNOL 222 | 22222 J30 | FR 200 / 13.5 | KM 22 | MB 22 | 37 - 51 | 580 | 50 |
| SNOL 224 | 22224 J30 | FR 215 / 14 | KM 24 | MB 24 | 45 - 53 | 620 | 65.5 |
| SNOL 226 | 22226 J30 | FR 230 / 13 | KM 26 | MB 26 | 49 - 58 | 650 | - |
| SNOL 228 | 22228 J30 | FR 250 / 15 | KM 28 | MB 28 | 40 - 56 | 730 | - |

It is also possible to deliver SNR plummer blocks as mounted units with shaft. In this case, we would require the dimensions of your contacting parts.





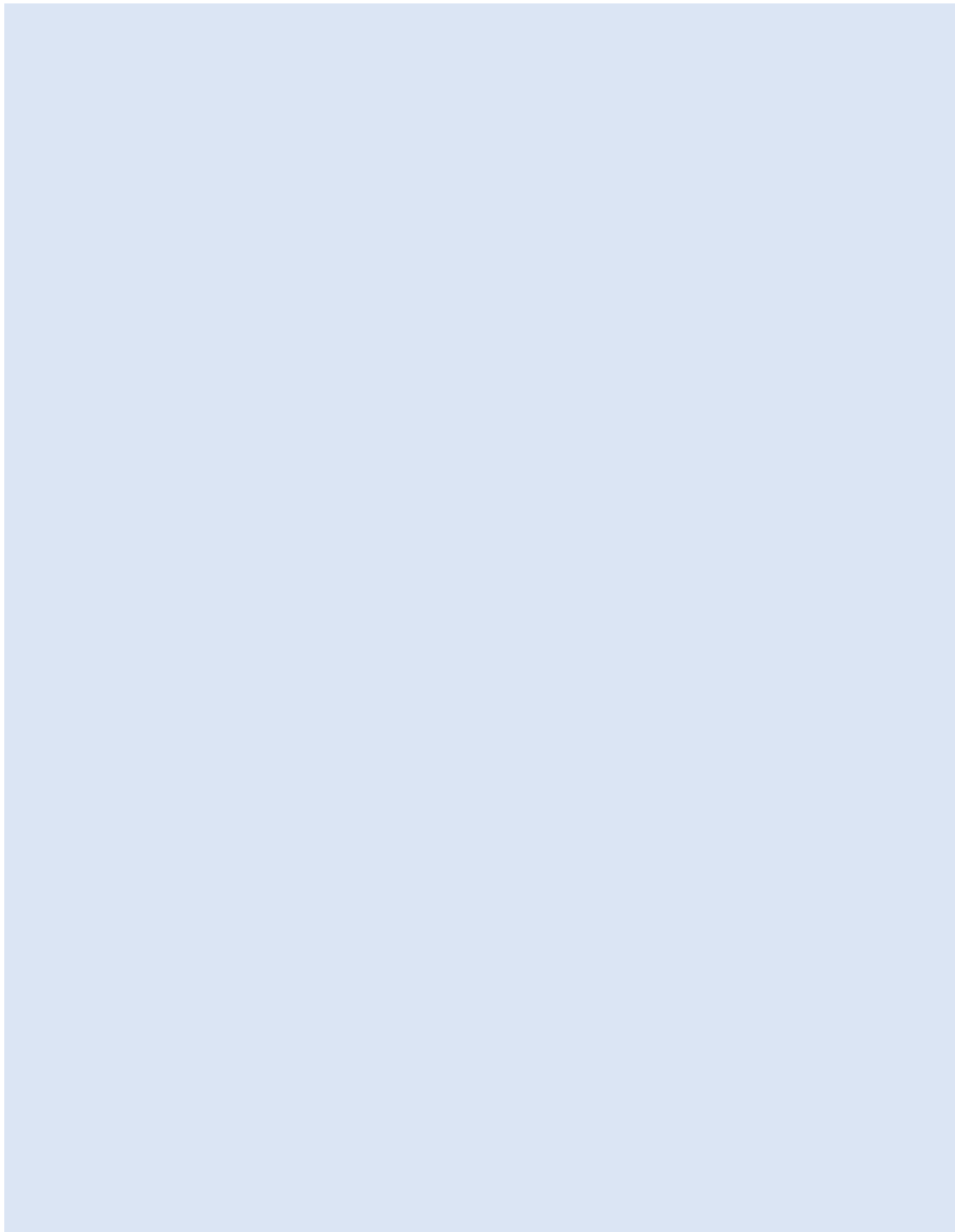
SNOL oil-lubricated plummer block for rolling bearings

SNR is not only an expert in all matters relating to anti-friction bearing technology, but also demonstrates with this housing series that successful industrial design is possible in the area of transmission engineering.

The main advantages once again at a glance:

- interchangeability – in most cases with the grease-lubricated SNB plummer blocks for rolling bearings
- significantly greater oil volume than in correspondingly-equipped SN housings
- optimized sealing system
- considerably more cost effective than previous oil-bearing housings
- versatile number of connection options for various measuring and monitoring equipment

Notes



Europe

| | | | | | |
|-----------------------|---|--|------------------------------|---|--|
| FRANCE | | | SNR Bordeaux | 1, rue du Golf - B.P. 173 33708 Merignac Cedex | Tél. 05 56 34 69 80 Fax. 05 56 34 69 81 |
| SNR Paris | 40, rue Jean Bleuzen B.P. 49 92174 Vanves Cedex | Tél. 01 40 93 66 00 Fax. 01 40 93 66 10 | SNR Lyon Europe* | Le Florentin - 71, chemin du Moulin Carron - B.P. 8 69570 Dardilly | Tél. 04 78 66 68 00 Fax. 04 78 66 68 20 |
| SNR Logistique | 9, avenue Léon Harmel 92160 Antony | Tél. 01 46 11 66 50 Fax. 01 46 11 66 66 | SNR Nancy Europe* | 3, allée Forêt de la Reine Parc technologique Brabois 54500 Vandœuvre | Tél. 03 83 44 64 00 Fax. 03 83 44 02 31 |

DEUTSCHLAND

| | | |
|---------------------------|---|---|
| SNR WÄLZLAGER GMBH | www.snr.de | |
| 40472 Düsseldorf | Wahlerstraße 6 40437 Düsseldorf Postfach 33 04 10 | Tel. (0211) 6 58 06-0 Fax. (0211) 6 58 88 86 |
| 33719 Bielefeld | Friedrich-Hagemann-Str.66 33701 Bielefeld Postfach 17 01 45 | Tel. (0521) 9 24 00-0 Fax. (0521) 9 24 00 90 |
| 70597 Stuttgart | Tränkestraße 7 70574 Stuttgart Postfach 70 04 16 | Tel. (0711) 9 00 64-0 Fax. (0711) 9 00 64 99 |

ITALIA

| | | |
|-------------------|--|---|
| SNR Italia | | |
| Milano | Via Keplero, 5 20019 Settimo Milanese (MI) | Tel. (02) 33 55 21 Fax (02) 33 50 06 56 |
| Bologna | Via E.Zago, 2/2 40128 Bologna | Tel. (051) 36 79 46 (051) 36 29 78 Fax (051) 36 85 38 |

ESPAÑA

| | | |
|---------------------------------|--|--|
| SNR Rodamientos Hispania | | |
| Madrid | C/ Llanos de Jerez, 22 Polígono Industrial 28820 Coslada | Tél. 91 671 89 13 Fax. 91 673 65 48 |

UNITED KINGDOM

| | | |
|-------------------|--|--|
| NADELLA UK | www.nadella.uk.com | |
| Coventry | Progress close Leofric Business Park Binley - Coventry CV3 2TF | Tel. 24 7629 6900 Fax. 24 7629 6991 |

BELGIQUE

| | | |
|----------------|---|--|
| NADELLA | | |
| Bruxelles | Langveldpark Basteleusstraat 2-4-6 unit 9 1600 Sint-Pieters-Leeuw | Tél. 02 523 81 92 Fax. 02 522 52 57 |

*EUROPE

(Subsidiaries excepted)
SNR Nancy - Europe : Benelux - Suisse - Autriche
SNR Lyon - Europe : Other Countries Fax. 04 78 66 68 21

Amériques / Americas

USA

| | | |
|-------------------------|---|--|
| SNR Bearings USA | www.snrbearings.com | |
| Atlanta | 4600 K Highlands Pkwy Smyrna, G.A. 30082 | Tel. (770) 435-2818 (800) 232-1717 Fax. (800) 742-5215 |

LATIN AMERICA

| | | |
|----------------------|--|--|
| SNR Argentina | | |
| Buenos-Aires | Viamonte 1145 - Piso 11 1053 Buenos-Aires | Tel. (54) 11-4 372-1272 Fax. (54) 11-4 372-0088 |

Autres pays / Other countries

SNR Intermondial (Overseas)

| | | |
|--------------|---|--|
| Anney | 18, rue du Val-Vert 74600 Seynod France | Tél. (33) 4 50 65 96 00/01/02 Fax. (33) 4 50 65 96 15 |
|--------------|---|--|

MAROC

| | | |
|------------------|--|--|
| SNR Maroc | e-mail : snrroulements@snrmaroc.com | |
| Casablanca | 17, rue Buzancy Belvédère Casablanca 20300 | Tél. (212) 02 2 241 530 Fax. (212) 02 2 241 532 (212) 02 2 241 542 |



Siège social : Rue des Usines - 74000 Anney - FRANCE

RCS Anney B 325821072 - Code NAF 291H

<http://www.snr.fr>